



2025 CABINETMAKING

Good day teachers and coaches.

With the upcoming Skills USA Oregon contest (Cabinet Making Division) we would like to say thank you in advance for your student's interest. My name is Dylan Zell and I'm the Tech for this year's contest. I'm also the owner of Faustrollean Fixture Co, Inc. in Portland a 50-year-old woodworking company that serves the commercial casework industry. This is my 3rd year being a part of the SkillsUSA contest and I'm proud to participate in this great endeavor.

So right out of the gate I would like to set some ground rules for the contest. We encourage ALL students to participate in the contest with a huge stress that participants are competent and meet the following criteria.

1. Planning Component: Ensure students can read drawings, perform layouts, and solve problems effectively.

2. Tool Competency: Students must be proficient with essential woodworking tools and machines, including:
 - Table saw
 - Band saw
 - Miter saw
 - Drill press
 - Electric orbital sander
 - Drill gun
 - Clamps
 - Hand tools

Safety is our top priority, and it's crucial that students are comfortable and competent with these tools to minimize the risk of injury. The contest environment will differ from their usual classroom setup, so familiarity with the tools is essential.

I've also provided a small project for participants to complete under their teachers' direction in their classrooms (See diagram below) prior to the competition. This project will help you assess



their skill levels and ensure they are prepared for the contest. If a student isn't ready, it's better for them to focus on improving their skills and get ready for next year's competition.

Thank you for your dedication to this event and for prioritizing the students' safety and enjoyment. Best of luck to all participants!

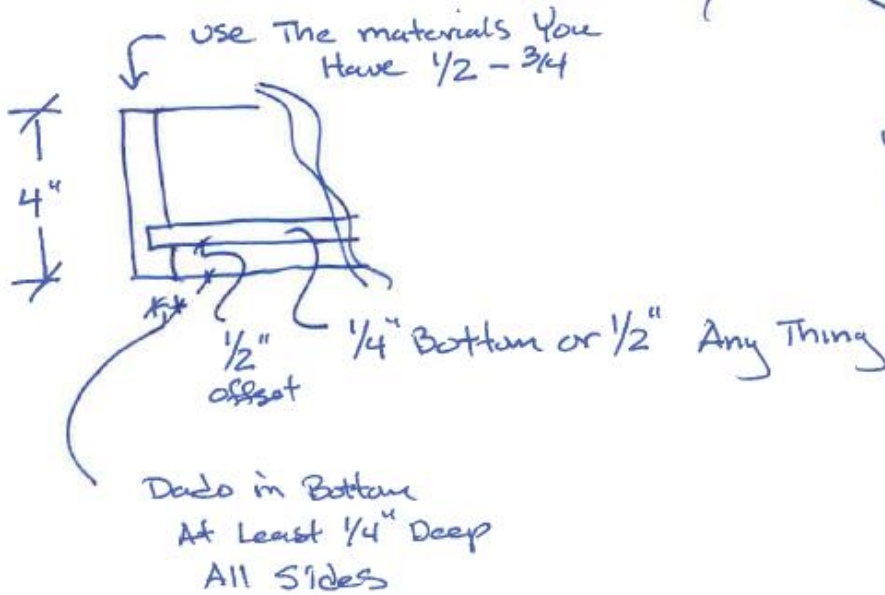
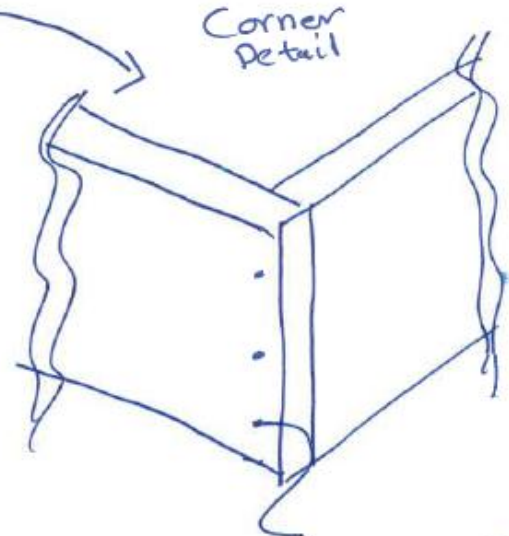
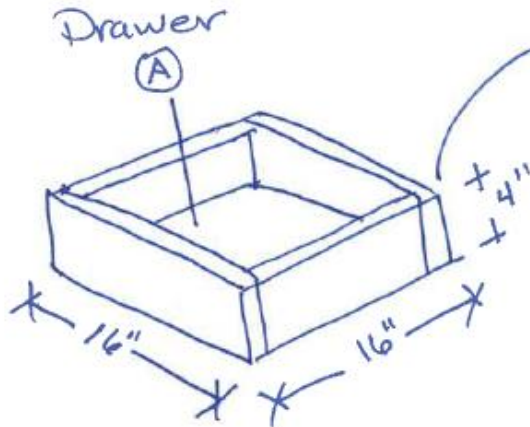
Warm regards,
Dylan A. Zell

The picture below is what the contestants had to build at nationals last year...Impressive and quite the endeavor in 8 hrs.



* Note:

- All mill. mark sand out 120°
- All Edges / top / Bottom / Ends should Be flush
- Nail Bottom in or glue. Sq Box



Use Any Type of Fastener You Have.

Nail/glue
Screw/glue
Power/glue
↑
Best

(A) Section